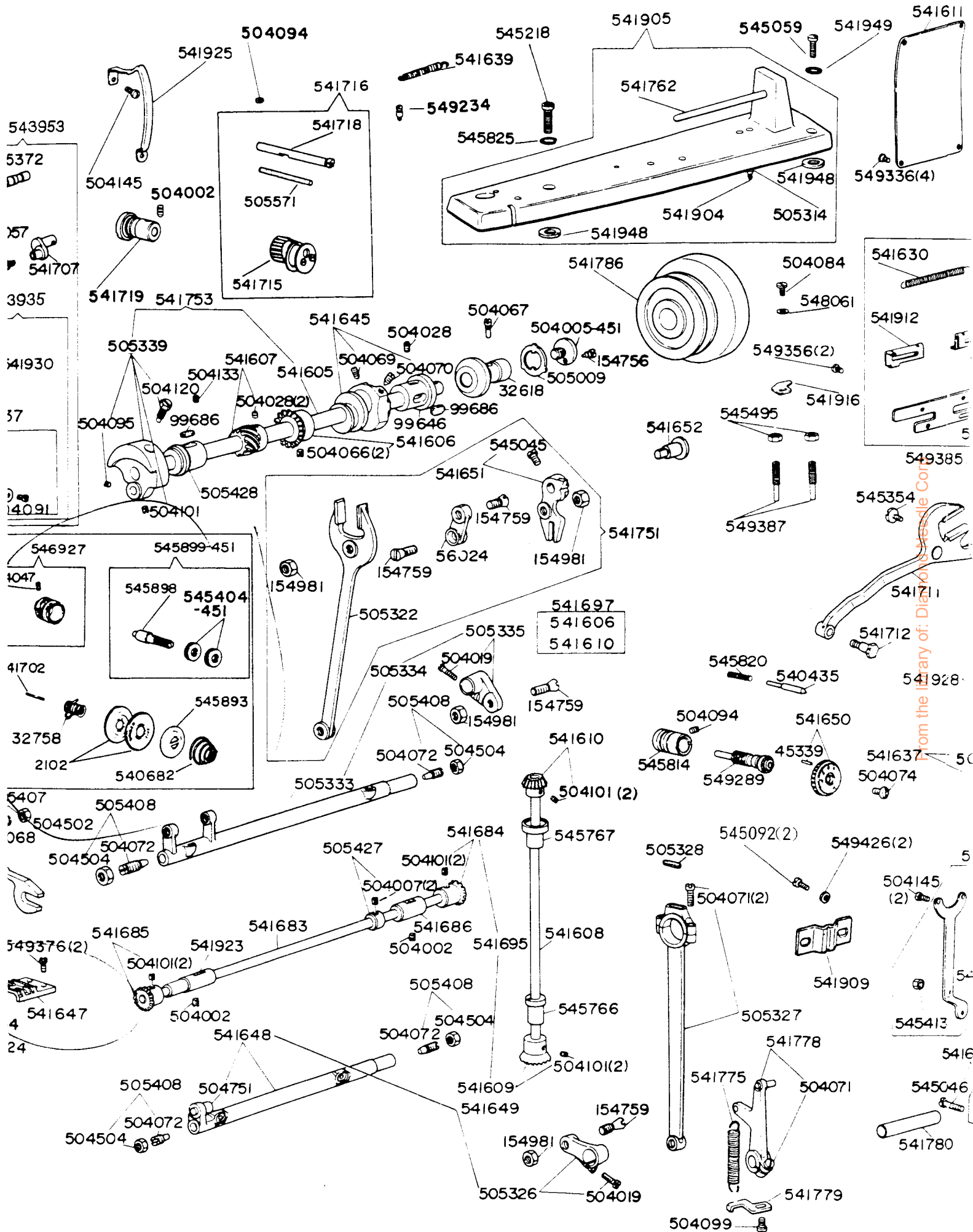


MACHINE PARTS CHART for

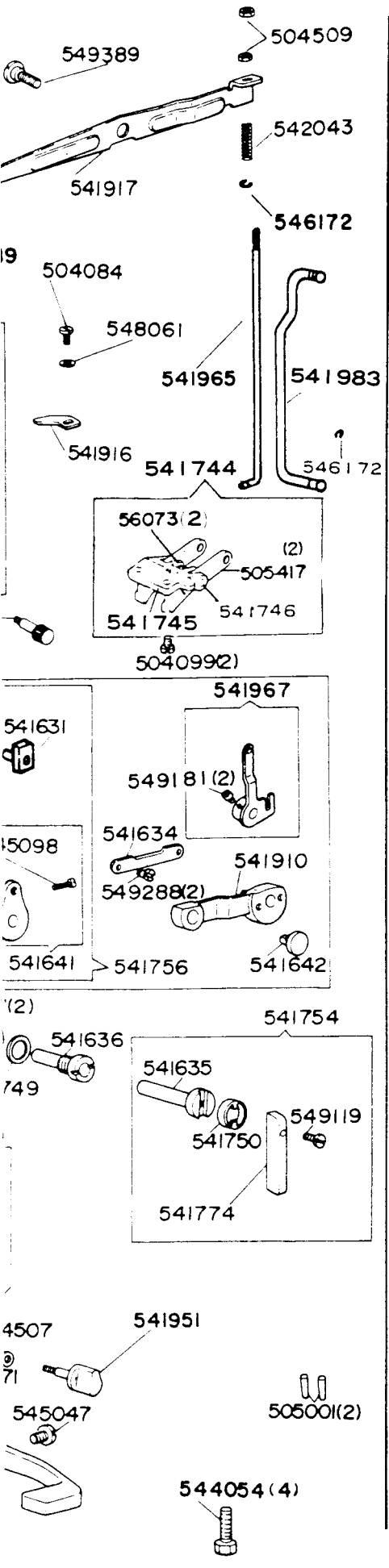
SINGER*

20U 11 / 13

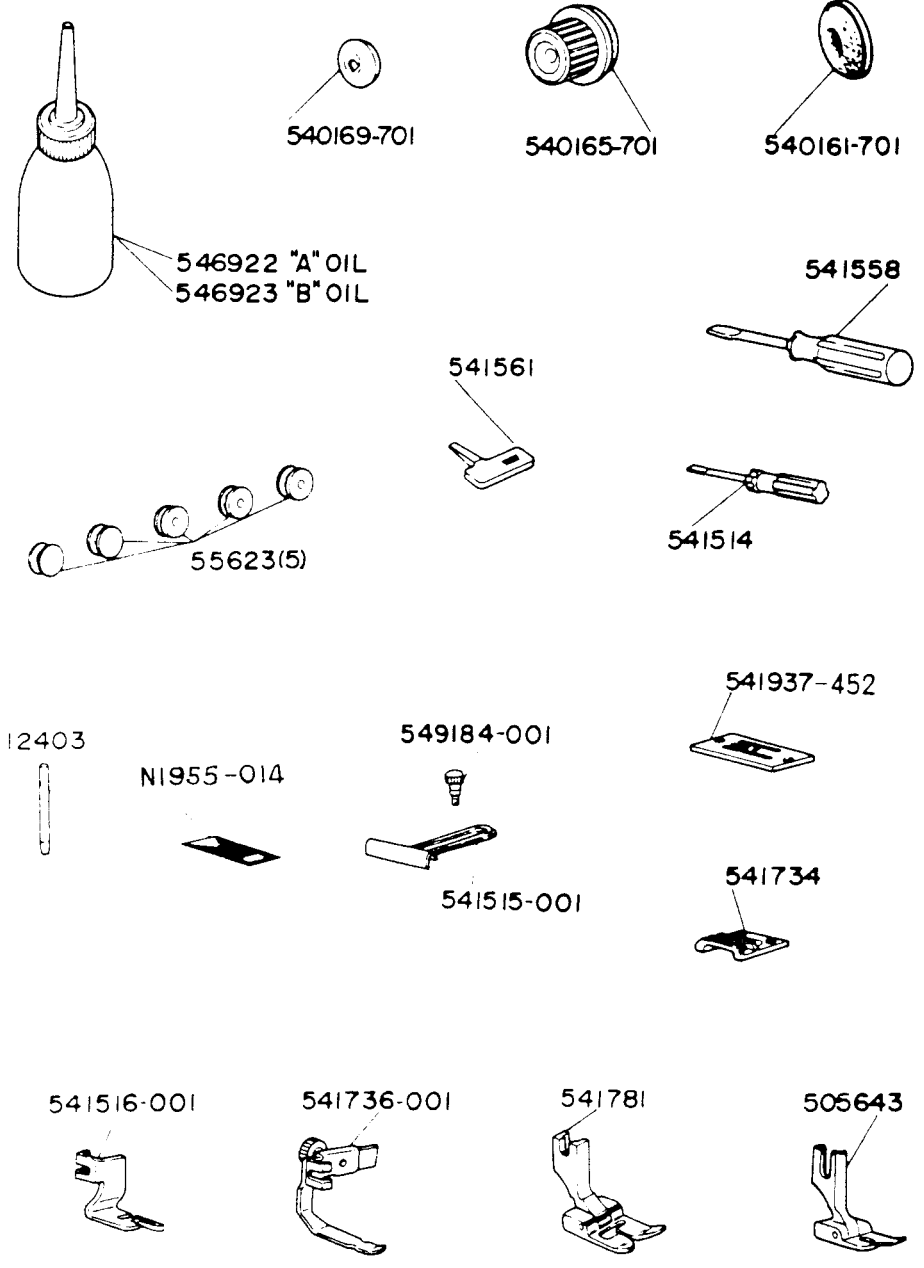
* A Trademark of THE SINGER COMPANY
Copyright © 1973 THE SINGER COMPANY
All Rights Reserved Throughout the World



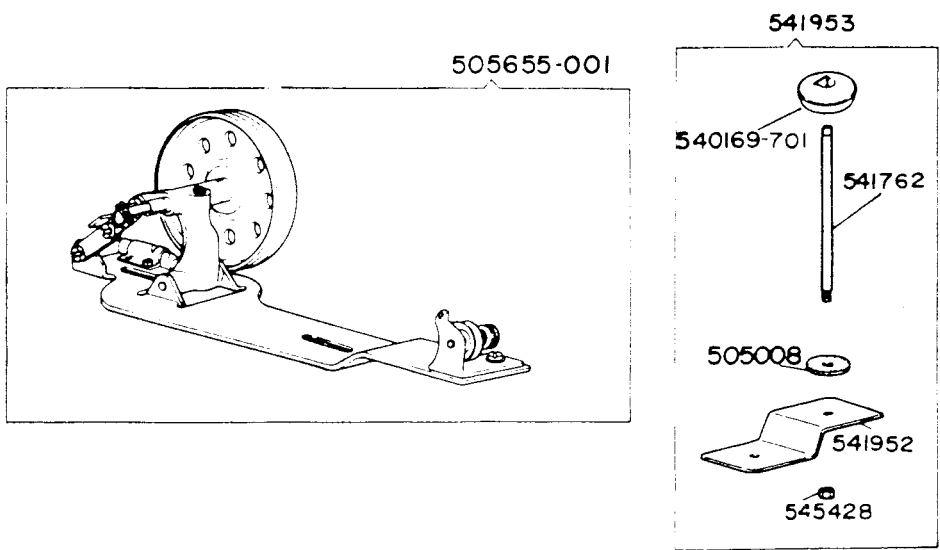
From the library of: Diagnostics & Repair Corp.



ACCESSORIES AND ATTACHMENTS



UNIVERSAL BOBBIN WINDER



NUMERICAL LIST OF PARTS FOR 20U11/13 M.L.s

| Part No. | Description | Part No. | Description |
|--------------|---|--------------|---|
| 691-845 | Throat Plate Screw (2) | 504087 (806) | Rotating Hook Bobbin Case Tension Spring Screw |
| 2102 | Tension Disc (2) | 504088 (803) | Rotating Hook Section Screw (3) |
| 11170 | Presser Bar Spring Washer | 504090 (803) | Rotating Hook Thread Guard Screw (4) |
| 32618 | Clamp Stop Motion Clamp Flanged Bushing | 504091 (810) | Needle Bar Set Screw |
| 32758 | Thread Take-up Spring | 504094 (833) | Feed Regulating Stud Bushing Set Screw |
| 36555 | Thread Cutter and Holder | 504094 (833) | Zig-Zag Triangular Cam Shaft Set Screw |
| 45339 | Feed Regulating Stud Head Stop Pin | 504095 (850) | Thread Take-up Crank Position Screw |
| 52016 | Presser Bar Lifter | 504099 (809) | Bell Crank Bracket Screw (2) |
| 52024 | Thread Take-up Lever Link | 504099 (809) | Feed Reverse Lever Return Spring Bracket Screw |
| 52130 | Thread Take-up Lever Thread Eyelet Bushing | 504101 (850) | Arm Shaft (upright) Bevel Gear (lower) Set Screw (2) |
| 52454 | Thread Retainer | 504101 (850) | Arm Shaft (upright) Bevel Gear (upper) Set Screw (2) |
| 55623 | Rotating Hook Bobbin | 504101 (850) | Rotating Hook Drive Shaft Bevel Gear (back) Set Screw (2) |
| 56024 | Feed Connecting Link | 504101 (850) | Rotating Hook Drive Shaft Bevel Gear (front) Set Screw (2) |
| 56046 | Presser Bar Spring | 504101 (850) | Rotating Hook Shaft Bevel Gear Set Screw (2) |
| 56073 | Bight Amplitude Slide Block Crank Knee Operating Bell Crank Spring (2) | 504101 (850) | Thread Take-up Crank Set Screw |
| 99646 | Arm Shaft (horizontal) Flanged Bushing (back) | 504120 (803) | Needle Bar Crank Position Screw |
| 99686 | Arm Shaft (horizontal) Flanged Bushing (back and front) Oil Pad (felt) (2) | 504133 (850) | Arm Shaft (horizontal) Flanged Bushing (front) Set Screw |
| 154756 (851) | Clamp Stop Motion Clamp Stop Screw | 504134 (850) | Needle Bar Frame Pin Set Screw |
| 154759 (850) | Feed Connecting Link Hinge Screw (2) | 504134 (850) | Rotating Hook Shaft Bushing (short) Set Screw |
| 154759 (850) | Feed Forked Connection Hinge Screw | 504134 (850) | Rotating Hook Shaft Bushing (long) Set Screw |
| 154759 (850) | Feed Lifting Rock Shaft Crank Connecting Rod Hinge Screw | 504145 (809) | Bight and L-C-R Position Lever Set Screw (2) |
| 154780 (819) | Presser Bar Lifter Pin Set Screw | 504145 (809) | Thread Take-up Lever Guard Set Screw |
| 154785 | Bed Plate Bracket Screw (2) | 504159 (819) | Slack Thread Regulator Set Screw |
| 154789 (809) | Bed Slide Spring Screw (2) | 504502 (819) | Feed Bar Screw Center Nut (2) |
| 154884 | Bed Slide Spring | 504504 (819) | Feed Lifting Rock Shaft Screw Center Nut (2) |
| 154981 (819) | Feed Connecting Link Hinge Screw Nut (2) | 504504 (819) | Feed Rock Shaft Screw Center Nut (2) |
| 154981 (819) | Feed Forked Connection Hinge Screw Nut | 504507 (809) | Bight and L-C-R Position Lever Thumb Stud Nut |
| 154981 (819) | Feed Lifting Rock Shaft Crank Connecting Rod Hinge Screw Nut | 504509 (809) | Lifting Lever Connecting Rod Lock Nut (3) |
| 410025 | Rotating Hook Bobbin Case Complete, Nos. 410025, 410027, 410051 and 505356 | 504751 | Feed Lifting Rock Shaft Roller and Stud |
| 410026 | Rotating Hook Bobbin Case Latch | 505001 | Arm Dowel Pin (2) |
| 410027 | Rotating Hook Bobbin Case Latch Lever | 505009 | Clamp Stop Motion Clamp Washer |
| 410051 | Rotating Hook Bobbin Case with 504086, 504087 and 541754 | 505314 | Arm Top Cover Oil Tube (for Feed Forked Connection) |
| 504002 (850) | Rotating Hook Drive Shaft Bushing (back) Set Screw | 505322 | Feed Forked Connection |
| 504002 (850) | Rotating Hook Drive Shaft Bushing (front) Set Screw | 505326 | Feed Lifting Rock Shaft Crank with 504019 |
| 504002 (850) | Thread Take-up Lever Link Hinge Pin Set Screw | 505327 | Feed Lifting Rock Shaft Crank Connecting Rod with two 504071 |
| 504002 (850) | Thread Take-up Spring Regulator Set Screw | 505328 | Feed Lifting Rock Shaft Crank Connecting Rod Cap Oil Pad (felt) |
| 504002 (850) | Zig-Zag Triangular Cam Shaft Bushing Set Screw | 505333 | Feed Rock Shaft |
| 504005-451 | Clamp Stop Motion Clamp Screw (Spec. No. 1039 Chrome Nickel Satin Finish) | 505334 | Feed Rock Shaft Complete, Nos. 505333 and 505335 |
| 504007 | Bight Amplitude Slide Block Crank Shaft Bushing Collar Set Screw (Spec. No. 1050) (2) | 505335 | Feed Rock Shaft Crank with 504019 |
| 504007 | Rotating Hook Drive Shaft Retainer Collar Screw (Spec. No. 1050) (2) | 505339 | Needle Bar Crank with 504095, 504101 and 504120 |
| 504007 (850) | Rotating Hook Shaft Retainer Collar Screw (4) | 505356 | Rotating Hook Bobbin Case Latch Spring |
| 504007 (850) | Thread Retainer Set Screw | 505372 | Thread Take-up Lever Link Hinge Pin |
| 504010-451 | Needle Bar Connecting Link Guide Screw (2) | 505407 | Feed Bar Screw Center 504068 with 504502 (2) |
| 504010-451 | Rotating Hook Shaft Bevel Gear Cover Screw | 505408 | Feed Lifting Rock Shaft Screw Center 504072 with 504504 (2) |
| 504010-451 | Thread Guard (upper) Set Screw | 505408 | Feed Rock Shaft Screw Center 504072 with 504504 (2) |
| 504019 (850) | Feed Lifting Rock Shaft Crank Clamping Screw | 505417 | Bight Amplitude Slide Block Crank Knee Operating Bell Crank (2) |
| 504019 (850) | Feed Rock Shaft Crank Clamping Screw | 505427 | Rotating Hook Drive Shaft Retainer Collar with two 504007 |
| 504027 (851) | Needle Clamp Thumb Screw | 505428 | Arm Shaft (horizontal) Flanged Bushing (front) |
| 504028 (850) | Arm Shaft (horizontal) Flanged Bushing (back) Set Screw | 505571 | Zig-Zag Triangular Cam Shaft Oil Wick |
| 504028 (850) | Arm Shaft (horizontal) Worm Gear Set Screw (2) | 505658 | Presser Bar Lifter Pin |
| 504028 (850) | Presser Bar Guide Bracket Set Screw | 540435 | Feed Regulating Stud Lock Pin |
| 504047 (830) | Tension Stud Set Screw | 540472 | Thread Guard (upper) |
| 504057 (805) | Needle Bar Connecting Link Cap Screw (Spec. No. 1015) | 540682 | Tension Spring |
| 504057 (805) | Needle Bar Connecting Link Cap Screw (Spec. No. 1015) | 541566 | Presser Foot (spring hinged) Complete |
| 504063-451 | Presser Foot Screw (Spec. No. 1025) | 541605 | Arm Shaft (horizontal) |
| 504066 (830) | Arm Shaft (horizontal) Bevel Gear Set Screw (2) | 541606 | Arm Shaft (horizontal) Bevel Gear with two 504066 |
| 504067 (819) | Clamp Stop Motion Clamp Flanged Bushing Set Screw | 541607 | Arm Shaft (horizontal) Worm Gear with two 504028 |
| 504068 (803) | Feed Bar Screw Center (2) | 541608 | Arm Shaft (upright) |
| 504069 (833) | Feed and Feed Lifting Eccentric Position Screw | 541609 | Arm Shaft (upright) Bevel Gear (lower) with two 504101 |
| 504070 (833) | Feed and Feed Lifting Eccentric Set Screw | 541610 | Arm Shaft (upright) Bevel Gear (upper) with two 504101 |
| 504071 (833) | Feed Lifting Rock Shaft Crank Connecting Rod Cap Screw (2) | 541611 | Arm Side Cover |
| 504071 (833) | Feed Reverse Lever Link Clamping Screw | 541619-452 | Bed Slide |
| 504072 (803) | Feed Lifting Rock Shaft Screw Center (2) | 541620-452 | Bed Slide Complete, Nos. 154884, 541619-452 and two 154789 |
| 504072 (803) | Feed Rock Shaft Screw Center (2) | 541623 | Bight and L-C-R Position Lever Complete, Nos. 545413 and 549285 |
| 504074 (852) | Feed Regulating Stud Head Cap Screw | 541630 | Bight Amplitude Regulating Plate Spring |
| 504077 (803) | Needle Bar Connecting Link Adjusting Screw | 541631 | Bight Amplitude Slide Block |
| 504083 (852) | Presser Regulating Thumb Screw | 541634 | Bight Amplitude Slide Block Crank Link |
| 504084 (810) | Bight Amplitude Stop Plate (left) (right) Screw (2) | 541635 | Bight Amplitude Slide Block Crank Shaft |
| 504084 (810) | Rotating Hook Bobbin Case Holder Position Bracket Screw | 541636 | Bight Amplitude Slide Block Crank Shaft Bushing |
| 504086 (806) | Rotating Hook Bobbin Case Tension Regulating Screw | | |

NUMERICAL LIST OF PARTS FOR 20011/13 M/Gs

| Part No. | Description | Part No. | Description |
|----------|---|--------------|---|
| 541637 | Bight Amplitude Slide Block Crank Shaft Bushing Collar with two 504007 | 541770 | Needle Bar Timing Indicator Plate |
| 541639 | Bight Amplitude Slide Block Crank Spring | 541771-452 | Bed Plate |
| 541641 | Bight Amplitude Slide Block Guide with 545098 | 541772 | Bed Plate Bracket |
| 541642 | Bight Amplitude Slide Block Guide Stud | 541773-452 | Bed Plate Complete, Nos. 541771-452 with 541772 and two 154785 |
| 541645 | Feed and Feed Lifting Eccentric with 504069 and 504070 | 541774 | Bight Amplitude Slide Block Crank Shaft Knob |
| 541646 | Feed Bar | 541775 | Feed Reverse Lever Return Spring |
| 541647 | Feed Dog | 541778 | Feed Reverse Lever Link with 504071 |
| 541648 | Feed Lifting Rock Shaft with 504751 | 541779 | Feed Reverse Lever Return Spring Bracket (hook) |
| 541649 | Feed Lifting Rock Shaft Complete, Nos. 505326 and 541648 | 541780 | Feed Reverse Lever Hinge Stud |
| 541650 | Feed Regulating Stud Head with 45339 | 541784 | Rotating Hook Bobbin Case Holder Position Bracket |
| 541651 | Feed Regulator with 545045 | 541786 | Handwheel |
| 541652 | Feed Regulator Hinge Stud | 541787 | Needle Clamp Thread Guard |
| 541654 | Feed Reverse Lever with 545046 | 541788 | Needle Clamp Complete, Nos. 504027, 545180, 541667 and 541787 |
| 541657 | Needle Bar (hollow) | 541789 | Bight Amplitude Regulating Plate Holder and Bight Amplitude Regulating Plate Complete, Nos. 541630, 541912, 541913 and 541946 |
| 541664 | Needle Bar Connecting Stud Hinge Pin | 541904 | Arm Top Cover Oil Tube Packing (cotton) |
| 541665 | Needle Bar Connecting Stud Hinge Pin Washer | 541905 | Arm Top Cover Complete, Nos. 505314, 541762, 541904 and two 541948 |
| 541667 | Needle Clamp | 541908 | Face Plate with 545701 |
| 541671 | Rotating Hook with two 549397 | 541909 | Bight and L-C-R Position Block |
| 541673 | Rotating Hook Complete, Nos. 541671, 541694, 541765, three 504088 and four 504090 (for agents only) | 541910 | Bight and L-C-R Position Lever Arm |
| 541674 | Rotating Hook 541673 with 541680 | 541912 | Bight Amplitude Regulating Plate (left) |
| 541675 | Rotating Hook 541674 with 541678 | 541913 | Bight Amplitude Regulating Plate (right) |
| 541680 | Rotating Hook Bobbin Case Holder | 541916 | Bight Amplitude Stop Plate (left) (right) (2) |
| 541683 | Rotating Hook Drive Shaft | 541917 | Lifting Lever |
| 541684 | Rotating Hook Drive Shaft Bevel Gear (back) with two 504101 | 541921 | Needle Bar Frame |
| 541685 | Rotating Hook Drive Shaft Bevel Gear (front) with two 504101 | 541922 | Needle Bar Frame Pin |
| 541686 | Rotating Hook Drive Shaft Bushing (back) | 541923 | Rotating Hook Drive Shaft Bushing (front) |
| 541688 | Rotating Hook Shaft | 541924 | Rotating Hook Shaft Bushing (long) |
| 541689 | Rotating Hook Shaft Bevel Gear with two 504101 | 541925 | Thread Take-up Lever Guard |
| 541690 | Rotating Hook Shaft Bevel Gear Cover | 541927 | Needle Bar Connecting Link Guide |
| 541692 | Rotating Hook Shaft Bushing (short) | 541928 | Bight Amplitude Slide Block Crank 541967 with 541624, 541624, 541756, 541910 and two 549288 |
| 541693 | Rotating Hook Shaft Retainer Collar with two 504007 | 541929 | Needle Bar (hollow) 541657 with 541933 |
| 541694 | Rotating Hook Thread Guard | 541930 | Needle Bar Connecting Link with 504077 |
| 541695 | Set of Gears (lower, back) Nos. 541609 and 541684 | 541933 | Needle Bar Frame 541921 with 541770, 549290 and two 549336 |
| 541696 | Set of Gears (lower, front) Nos. 541685 and 541689 | 541936-452 | Throat Plate |
| 541697 | Set of Gears (upper) Nos. 541606 and 541610 | 541946 | Bight Amplitude Regulating Plate Holder |
| 541698 | Slack Thread Regulator | 541948 | Arm Top Cover Cushion (2) |
| 541700 | Tension Releasing Lever | 541949 | Arm Top Cover Screw (back) O-Ring |
| 541701 | Tension Releasing Lever Spring | 541951 | Bight and L-C-R Position Lever Thumb Stud (Spec. No. 1019) |
| 541702 | Tension Releasing Pin | 541957 | Tension Complete, Nos. 32758, 540682, 541702, 545893, 545894-451, 546927 and two 2102 |
| 541707 | Thread Take-up Crank | 541965 | Lifting Lever Connecting Rod |
| 541708 | Thread Take-up Lever with 52130 | 541967 | Bight Amplitude Slide Block Crank with two 549181 |
| 541709 | Thread Take-up Lever Complete, Nos. 52024 and 541708 | 541982 | Presser Bar Guide Bracket with 504028 |
| 541711 | Zig-Zag Stitch Regulator Fork | 541983 | Bight Amplitude Slide Block Crank Knee Operating Connection |
| 541712 | Zig-Zag Stitch Regulator Fork Eccentric Connection Pin | 541985 | Presser Bar (hollow) |
| 541715 | Zig-Zag Triangular Cam | 542043 | Lifting Lever Connecting Rod Spring |
| 541716 | Zig-Zag Triangular Cam Gear and Zig-Zag Triangular Cam Shaft Complete, Nos. 541715, 541718 and 505571 | 543935 | Needle Bar Connecting Link 541930 with 543937 |
| 541718 | Zig-Zag Triangular Cam Shaft | 543937 | Needle Bar Connecting Stud Complete, Nos. 504091, 541664, 541665 and 545001 |
| 541719 | Zig-Zag Triangular Cam Shaft Bushing | 543953 | Thread Take-up Complete, Nos. 504057, 505372, 541707, 541709 and 543935 |
| 541720 | Presser Bar Lifting Bracket with 541725 and 549330 | 544054 | Arm Screw (4) |
| 541725 | Presser Bar Lifting Shaft Link | 545001 (819) | Needle Bar Connecting Stud Hinge Pin Screw |
| 541744 | Bight Amplitude Slide Block Crank Knee Operating Bell Crank Complete, Nos. 541745, 541746 and two each 56073 and 505417 | 545045 (833) | Feed Regulator Hinge Stud Set Screw |
| 541745 | Bight Amplitude Slide Block Crank Knee Operating Bell Crank Bracket | 545046 (809) | Feed Reverse Lever Set Screw |
| 541746 | Bight Amplitude Slide Block Crank Knee Operating Bell Crank Hinge Pin | 545047 (850) | Feed Reverse Lever Hinge Stud Cap Screw |
| 541749 | Bight Amplitude Slide Block Crank Shaft Bushing Washer | 545059 (810) | Arm Top Cover Screw (back) |
| 541750 | Bight Amplitude Slide Block Crank Shaft Ring | 545092 | Bight and L-C-R Position Block Set Screw (2) (Spec. No. 1050) |
| 541751 | Feed Forked Connection 56024 with 505322, 541651, two 154759 and two 154981 | 545092 (810) | Face Plate Screw (2) |
| 541753 | Arm Shaft (horizontal) and Needle Bar Crank Complete Nos. 505339 and 541605 | 545098 (850) | Bight Amplitude Slide Block Guide Stud Set Screw |
| 541754 | Bight Amplitude Slide Block Crank Shaft Knob 541774 with 541635, 541750 and 549119 | 545180 | Needle Clamp Thread Guard Set Screw (Spec. No. 1010) |
| 541756 | Bight Amplitude Slide Block Guide 541641 with 541631 | 545218 (852) | Arm Top Cover Screw (front) |
| 541759 | Needle Bar Frame Clamping Stud | 545260 (806) | Tension Releasing Lever Hinge Screw |
| 541762 | Arm Top Cover Spool Holder | 545354 (804) | Bight Amplitude Slide Block Cap Screw |
| 541764 | Rotating Hook Bobbin Case Tension Spring | 545404-451 | Tension Regulating Thumb Nut |
| 541765 | Rotating Hook Section | 545413 (803) | Bight and L-C-R Position Lever Screw Pin Nut |
| | | 545495 | Bight and L-C-R Position Lever Arm Regulating Screw Nut (Spec. No. 1019) (2) |
| | | 545766 | Arm Shaft (upright) Bushing (lower) |
| | | 545767 | Arm Shaft (upright) Bushing (upper) |
| | | 545814 | Feed Regulating Stud Bushing |
| | | 545820 | Feed Regulating Stud Lock Pin Spring |
| | | 545825 | Arm Top Cover Screw (front) O-Ring |
| | | 545893 | Tension Releasing Disc |
| | | 545898 | Tension Stud |
| | | 545899-451 | Tension Stud 545898 with two 545404-451 |

From the library of: Diamond Needle Corp

NUMERICAL LIST OF PARTS FOR 20U11/13 M/Cs

| <u>Part No.</u> | <u>Description</u> | <u>Part No.</u> | <u>Description</u> |
|-----------------|--|-----------------|--------------------|
| 546172 | Bight Amplitude Slide Block Crank Knee Operating Connection Snap Ring | | |
| 546172 | Lifting Lever Connecting Rod Snap Ring | | |
| 546701 | Face Plate Washer (rubber) | | |
| 546927 | Thread Take-up Spring Regulator with 504047 | | |
| 547671 | Bight and L-C-R Position Lever Thumb Stud Nut Spring Washer | | |
| 548061 | Bight Amplitude Stop Plate (left) (right) Washer (2) | | |
| 549119 (850) | Bight Amplitude Slide Block Crank Shaft Knob Set Screw | | |
| 549181 (803) | Bight Amplitude Slide Block Crank Set Screw (2) | | |
| 549234 (810) | Bight Amplitude Slide Block Crank Spring Screw | | |
| 549285 (803) | Bight and L-C-R Position Lever Screw Pin | | |
| 549288 (830) | Bight Amplitude Slide Block Crank Link Hinge Screw (2) | | |
| 549289 (803) | Feed Regulating Stud | | |
| 549290 (819) | Zig-Zag Stitch Regulator Fork Eccentric Connection Pin Set Screw | | |
| 549330 (810) | Presser Bar Lifting Shaft Link Hinge Screw | | |
| 549336 (825) | Arm Side Cover Set Screw (4) | | |
| 549336 (825) | Needle Bar Timing Indicator Plate Screw (2) | | |
| 549354 | Needle Bar Frame Clamping Stud Screw | | |
| 549356 (850) | Bight Amplitude Regulating Plate Holder Set Screw (2) | | |
| 549376 (850) | Feed Dog Screw (2) | | |
| 549385 | Bight Amplitude Regulating Plate Thumb Screw (Spec. No. 1019) (2) | | |
| 549387 | Bight and L-C-R Position Lever Arm Regulating Screw (Spec. No. 1050) (2) | | |
| 549389 | Lifting Lever Hinge Screw (Spec. No. 1050) | | |
| 549397 (850) | Rotating Hook Set Screw (2) | | |
| 549426 | Bight and L-C-R Position Block Washer (2) | | |
| N1955-014 | Needle (size #14) with Pontoon C.A.E. | | |

ACCESSORIES AND ATTACHMENTS

(Supplied with Machine)

| | |
|------------|--|
| 12403 | Arm Spool Pin and Thread Eyelet |
| 55623 | Rotating Hook Bobbin (5) |
| 505643 | Presser Foot (spring hinged) Complete (for straight stitching) |
| 540161-701 | Arm Top Cover Spool Seat Complete |
| 540165-701 | Arm Top Cover Spool Holder Thread Lead-off (large) Complete |
| 540169-701 | Arm Top Cover Spool Holder Thread Lead-off (small) Complete |
| 541514 | Screw Driver (small) |
| 541515-001 | Cloth Guide (purchased part) |
| 541516-001 | Hemmer Foot (1/8 hem) (purchased part) |
| 541558 | Screw Driver (large) |
| 541561 | Screw Driver (for throat plate) |
| 541734 | Feed Dog (for straight stitching) |
| 541736-001 | Zipper Foot (purchased part) |
| 541781 | Presser Foot (spring hinged) Complete (for buttonholing) |
| 541937-452 | Throat Plate (for straight stitching) |
| 546922 | Oiler (130 cc, filled with type "A" oil) (for treadle drive) |
| 546923 | Oiler (130 cc, filled with type "B" oil) (for electric drive) |
| 549184-001 | Cloth Guide Screw (purchased part) |
| N1955-014 | Needle (size #14) with Pontoon C.A.E. (3) |

UNIVERSAL BOBBIN WINDER

(Supplied with Machine)

| | |
|--------------|--|
| 505008 | Bobbin Winder Spool Pin Washer (felt) |
| 505655-001 | Universal Bobbin Winder Complete (include two wood screw) (purchased assembly) |
| 540169-701 | Bobbin Winder Spool Presser Plate Complete, Nos. 541741 and 541743 |
| 541762 | Bobbin Winder Spool Pin |
| 541952 | Bobbin Winder Spool Pin Bracket |
| 541953 | Bobbin Winder Spool Pin Complete, Nos. 505008, 540169-701, 541762, 541952 and 545428 |
| 545428 (303) | Bobbin Winder Spool Pin Nut |